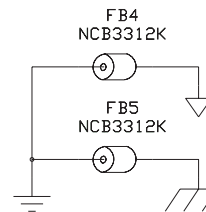
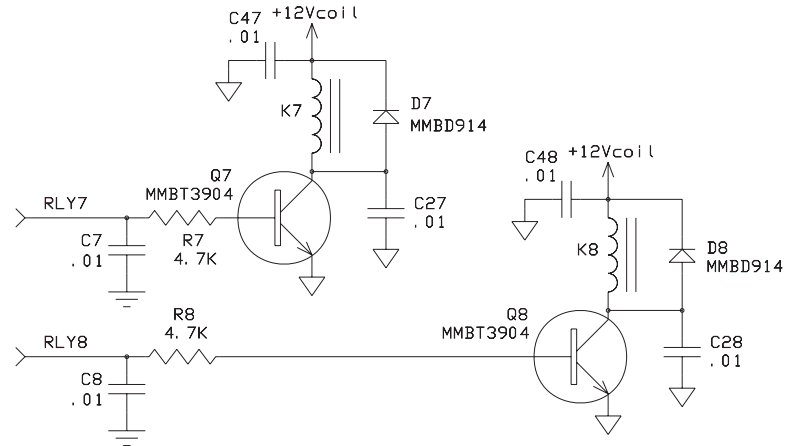
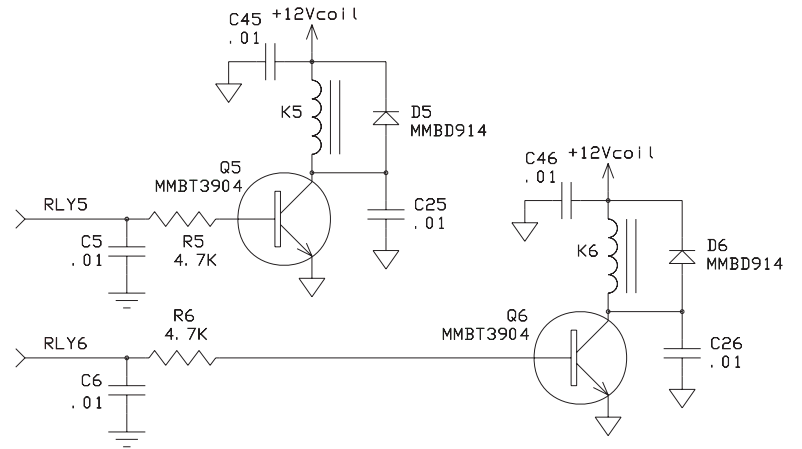
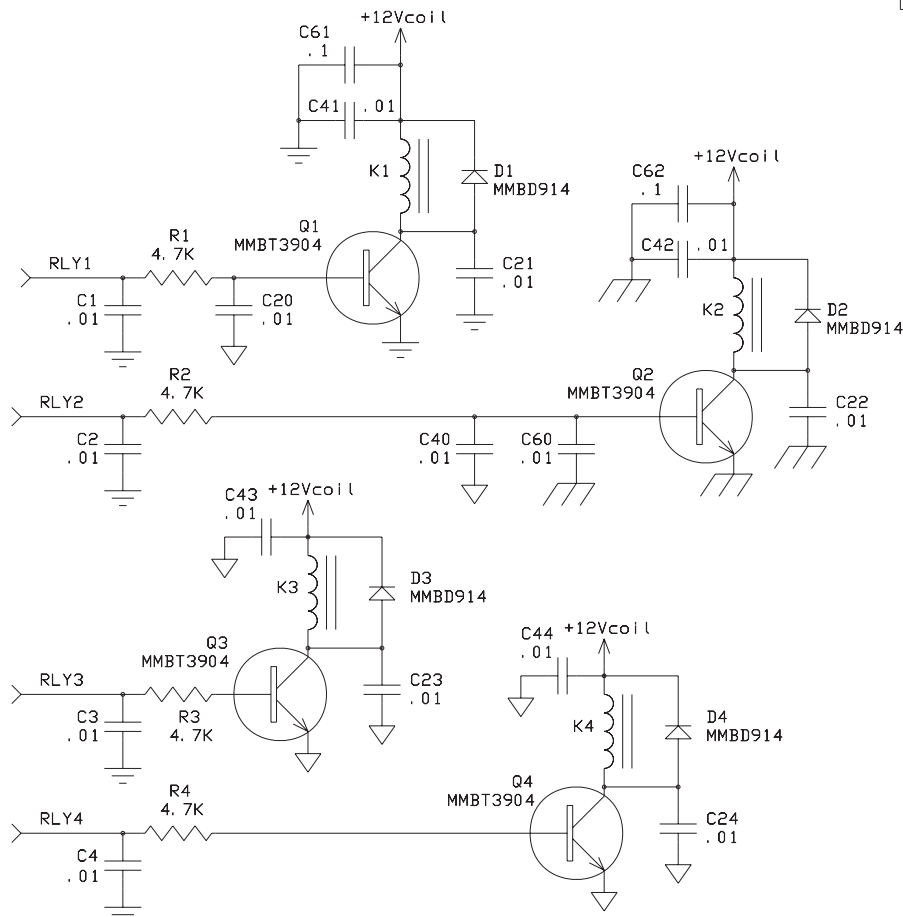
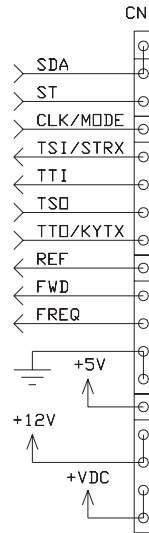
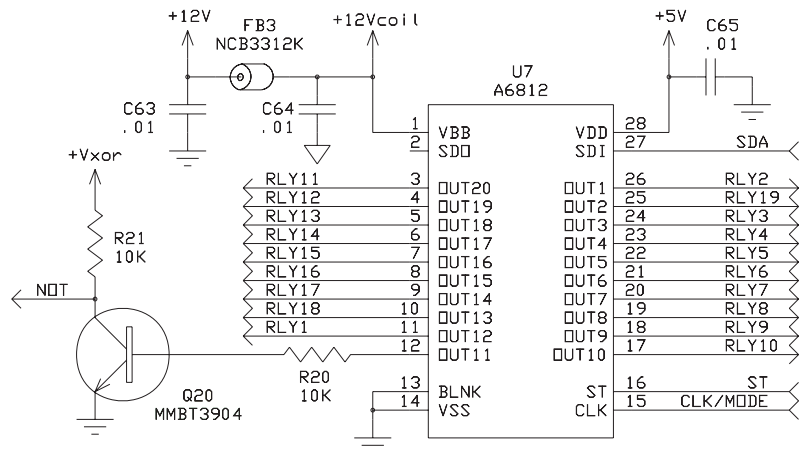


RESISTANCE VALUES ARE IN OHMS
 CAPACITANCE VALUES ARE IN MICROFARADS
 UNLESS OTHERWISE SPECIFIED

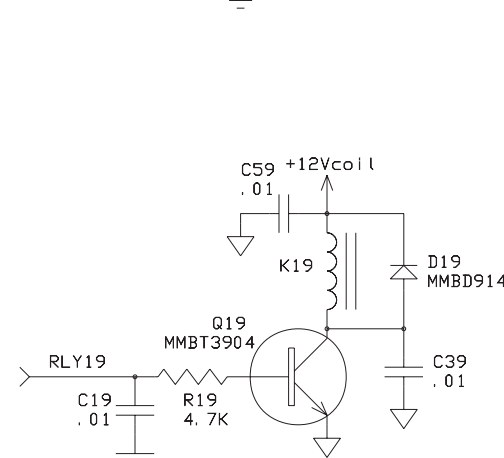
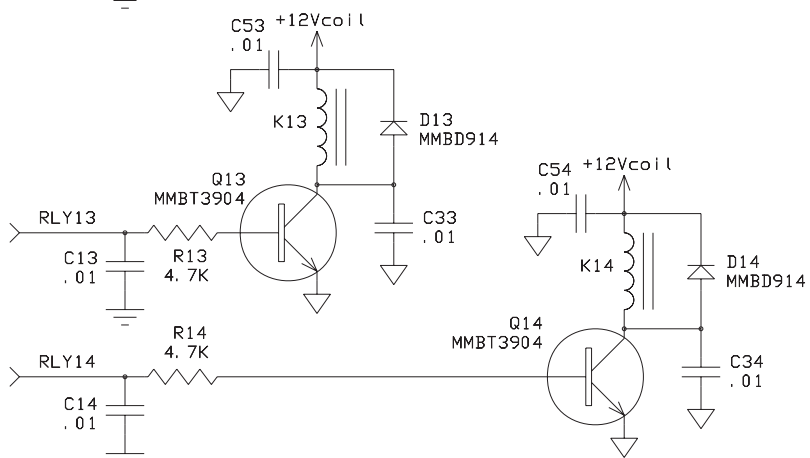
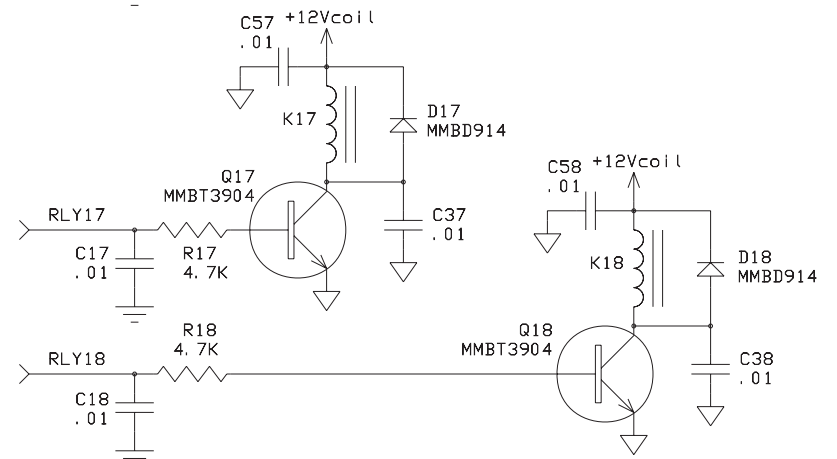
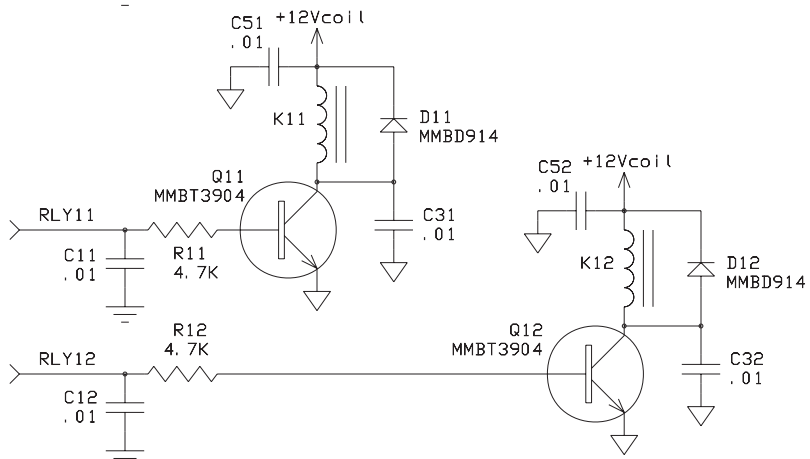
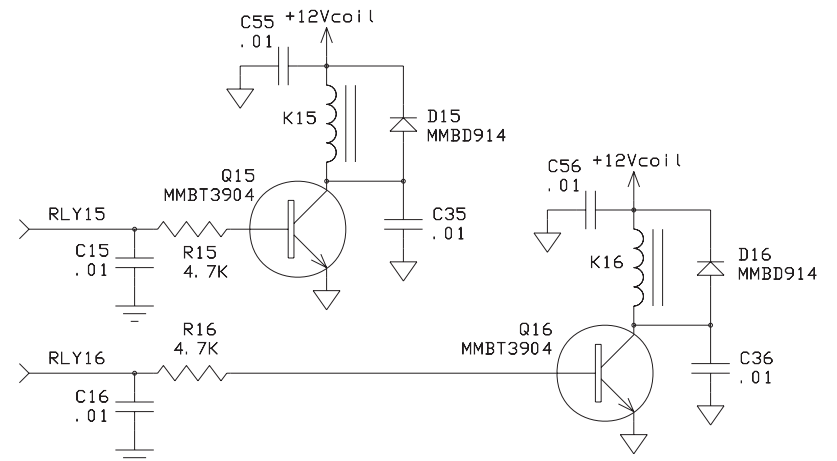
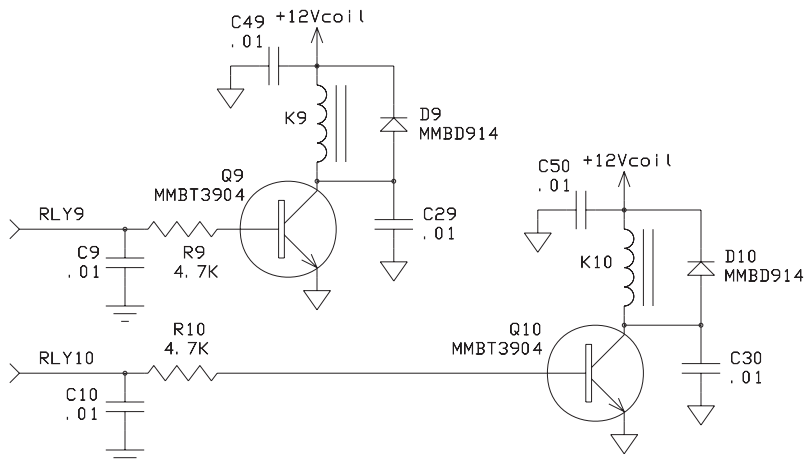
MODEL NO. MFJ-927/928/929	REVISION 0	PCB P/N 862-0929	SHEET 2 OF 5
DESCRIPTION AUTOMATIC ANTENNA TUNER BRIDGE, L-NETWORK, FREQ CNTR, INTERFACE			
DATE 05/31/05	PC BOARD M929_A	MFJ ENTERPRISES, INC. 300 INDUSTRIAL PARK RD STARKVILLE, MS 39759	
ENGINEER H. WONG	DRAWN BY H. WONG		

- * ALL RELAYS ARE SONGLE SRSB-12VDC-SL-C.
- * L6 & L9 ARE 14AWG AIR COILS; TOROIDS L3,L4,L5,L7,L8 & L10 ARE T94-2 AND T106-2, 18AWG.
- * ALL L-NETWORK CAPACITORS ARE RATED 500V.
- * SET FWD & REF TRIMPOTS FOR 2.722V AT TP WITH 100W INPUT INTO 50 OHM LOAD.



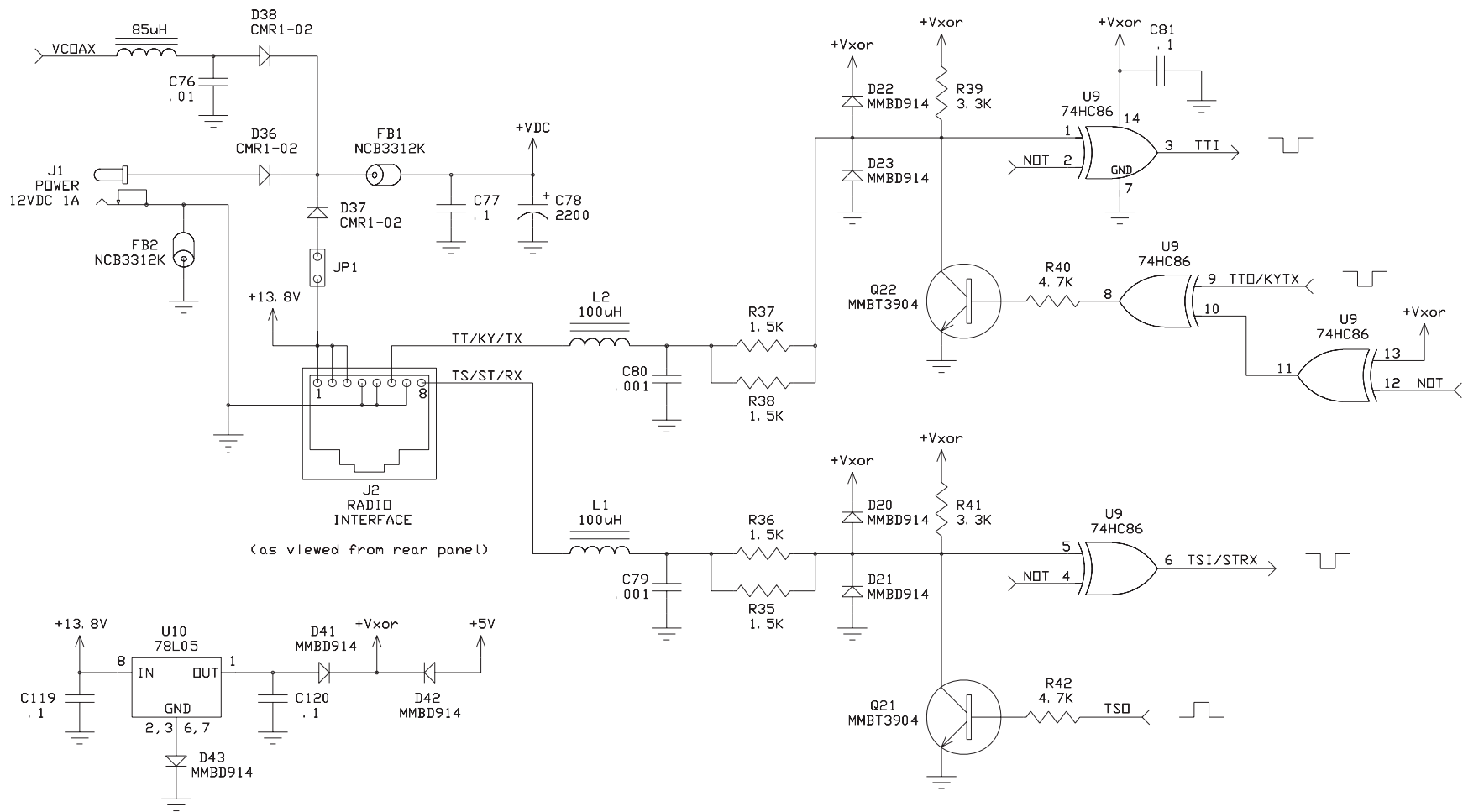
RESISTANCE VALUES ARE IN OHMS
CAPACITANCE VALUES ARE IN MICROFARADS
UNLESS OTHERWISE SPECIFIED

MODEL NO. MFJ-927/928/929	REVISION 0	PCB P/N 862-0929	SHEET 3 OF 5
DESCRIPTION AUTOMATIC ANTENNA TUNER LATCH, RELAY COILS & DRIVERS			
DATE 05/12/05	PC BOARD M929_A	MFJ ENTERPRISES, INC. 300 INDUSTRIAL PARK RD STARKVILLE, MS 39759	
ENGINEER H. WONG	DRAWN BY H. WONG		



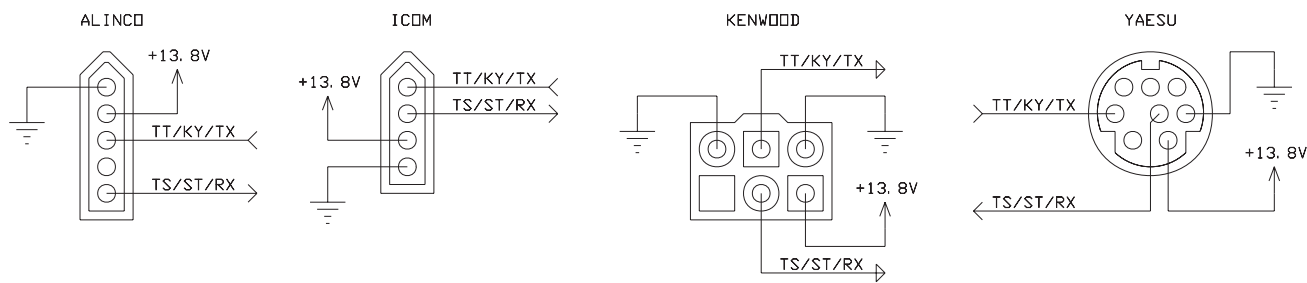
RESISTANCE VALUES ARE IN OHMS
CAPACITANCE VALUES ARE IN MICROFARADS
UNLESS OTHERWISE SPECIFIED

MODEL NO. MFJ-990/992	REVISION 0	PCB P/N 862-0992	SHEET 4 OF 5
DESCRIPTION AUTOMATIC ANTENNA TUNER RELAY COILS & DRIVERS			
DATE 04/16/05	PC BOARD M992_0	MFJ ENTERPRISES, INC. 300 INDUSTRIAL PARK RD STARKVILLE, MS 39759	
ENGINEER H. WONG	DRAWN BY H. WONG		



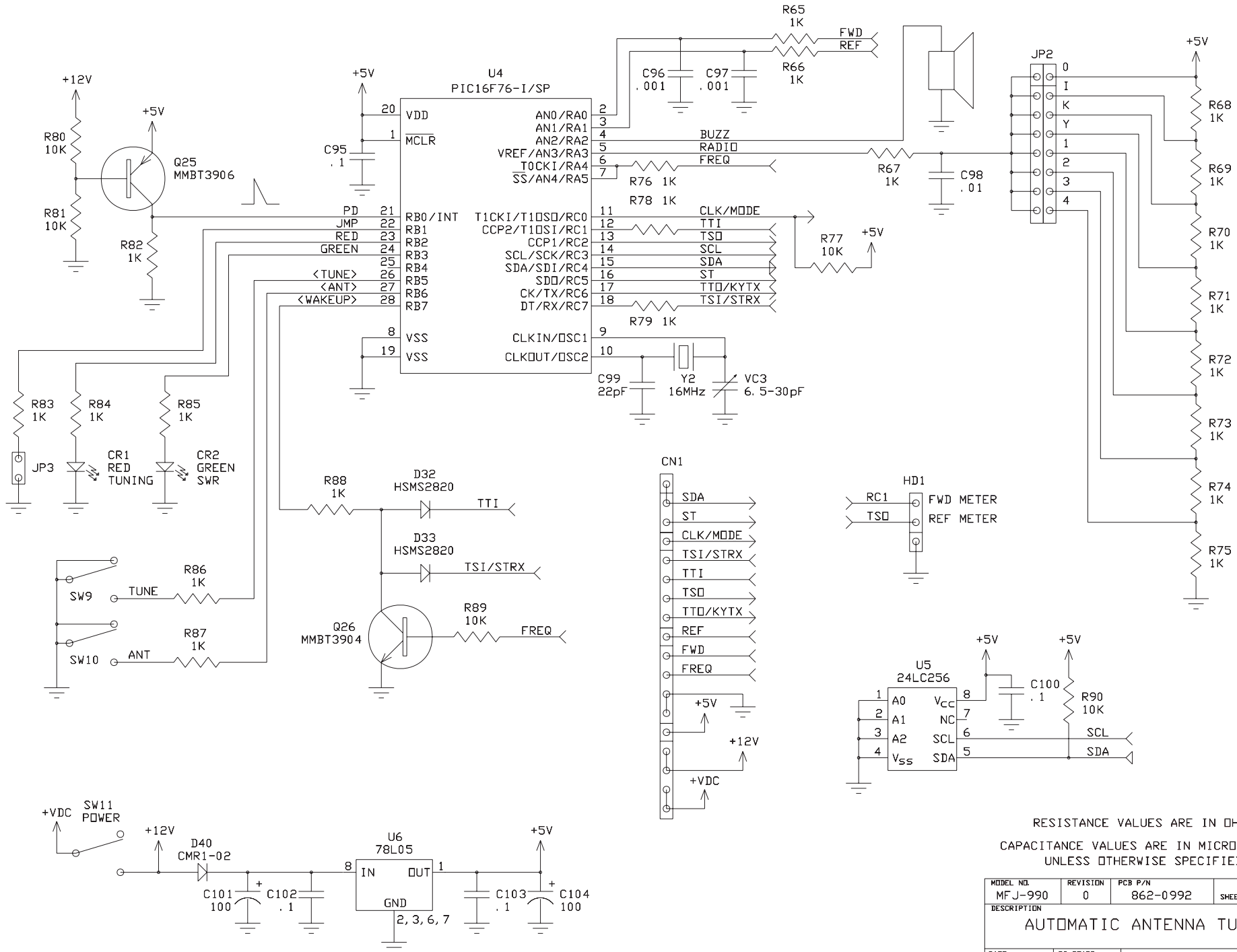
(as viewed from rear panel)

(as viewed from rear panel of radio)



RESISTANCE VALUES ARE IN OHMS
CAPACITANCE VALUES ARE IN MICROFARADS
UNLESS OTHERWISE SPECIFIED

MODEL NO. MFJ-927/928/929	REVISION 0	PCB P/N 862-0929	SHEET OF
DESCRIPTION AUTOMATIC ANTENNA TUNER RADIO INTERACE & POWER			
DATE 05/12/05	PC BOARD M929_A	MFJ ENTERPRISES, INC. 300 INDUSTRIAL PARK RD STARKVILLE, MS 39759	
ENGINEER H. WONG	DRAWN BY H. WONG		



RESISTANCE VALUES ARE IN OHMS
 CAPACITANCE VALUES ARE IN MICROFARADS
 UNLESS OTHERWISE SPECIFIED

MODEL NO. MFJ-990	REVISION 0	PCB P/N 862-0992	SHEET OF
DESCRIPTION AUTOMATIC ANTENNA TUNER			
DATE 04/16/05	PC BOARD M992_0	MFJ ENTERPRISES, INC. 300 INDUSTRIAL PARK RD STARKVILLE, MS 39759	
ENGINEER H. WONG	DRAWN BY H. WONG		