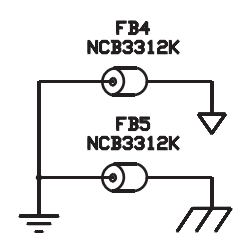
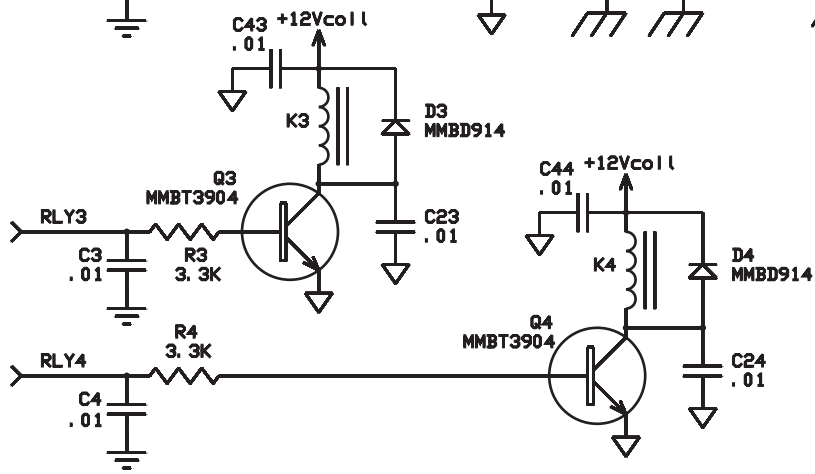
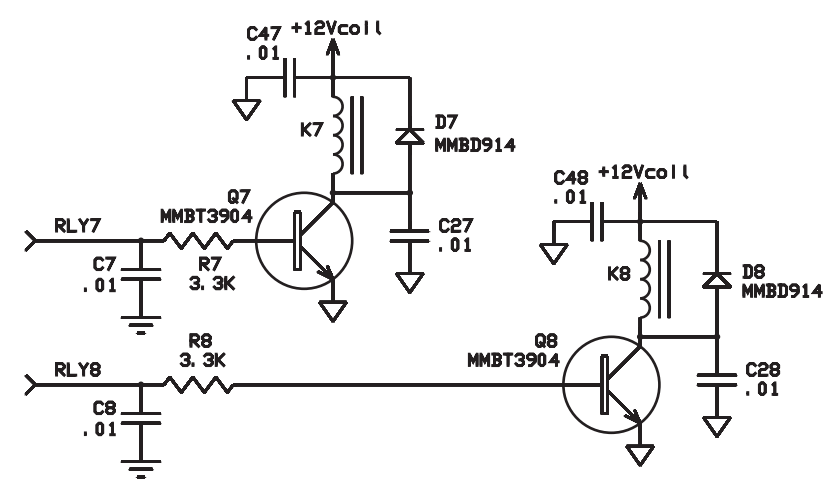
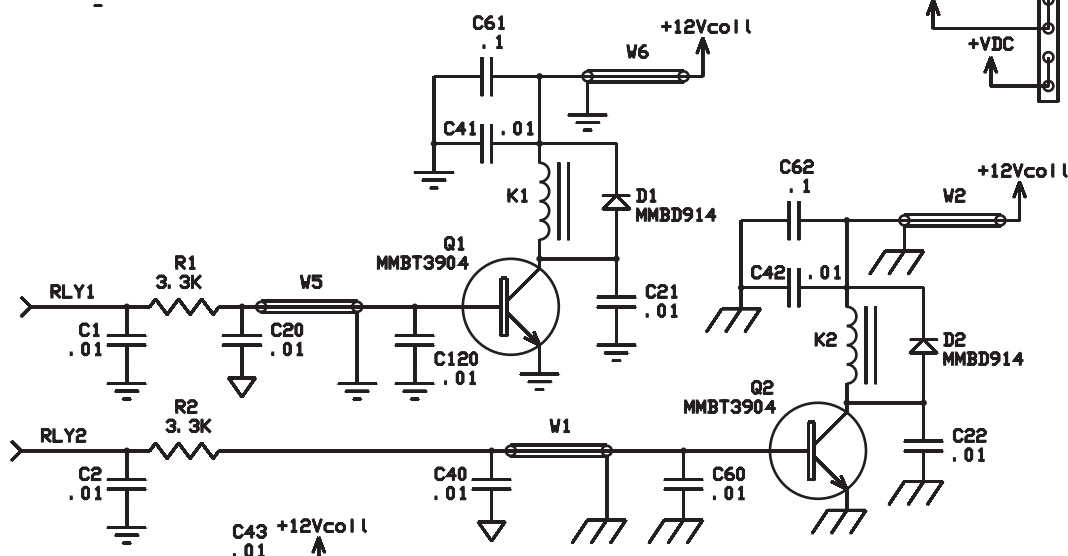
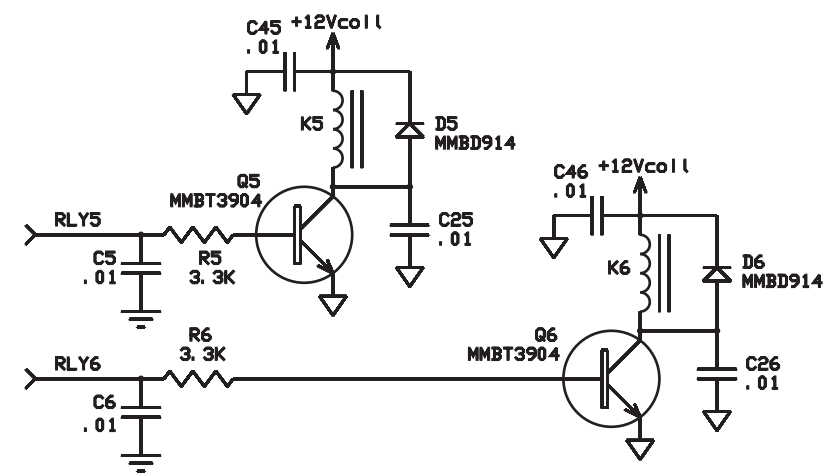
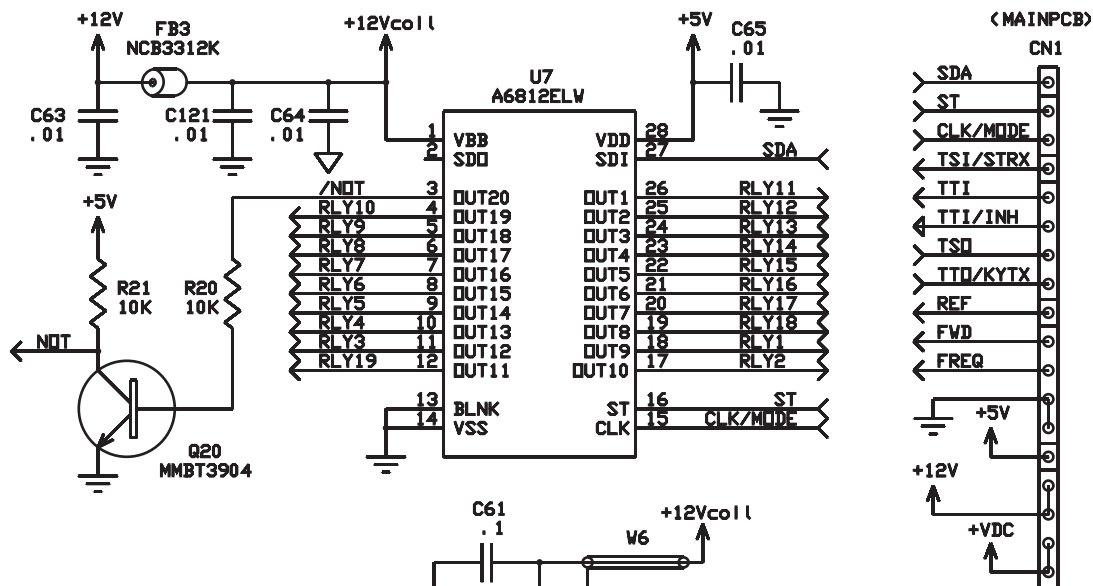


RESISTANCE VALUES ARE IN OHMS
 CAPACITANCE VALUES ARE IN MICROFA UNLESS OTHERWISE SPECIFIED

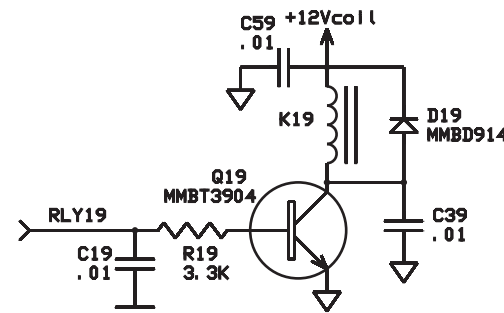
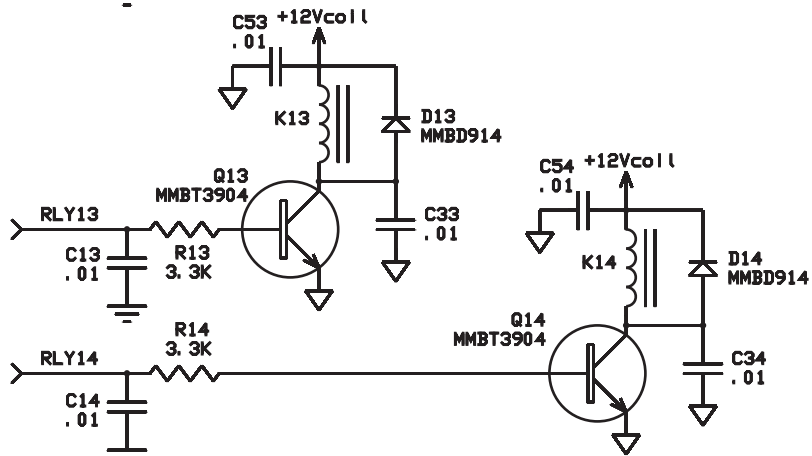
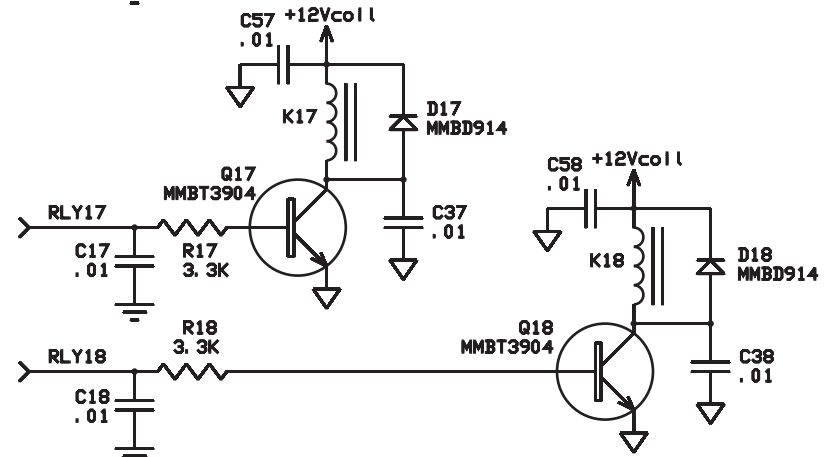
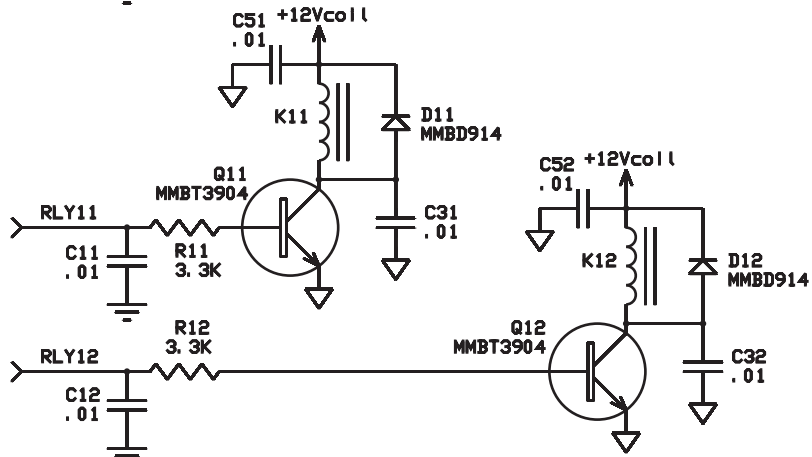
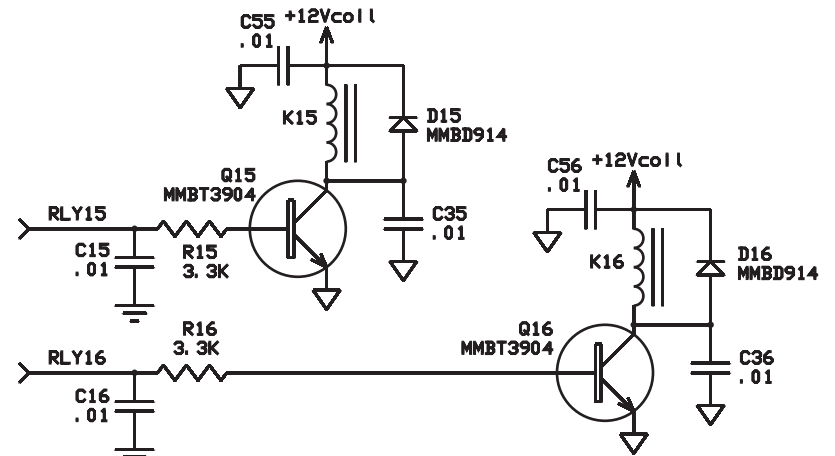
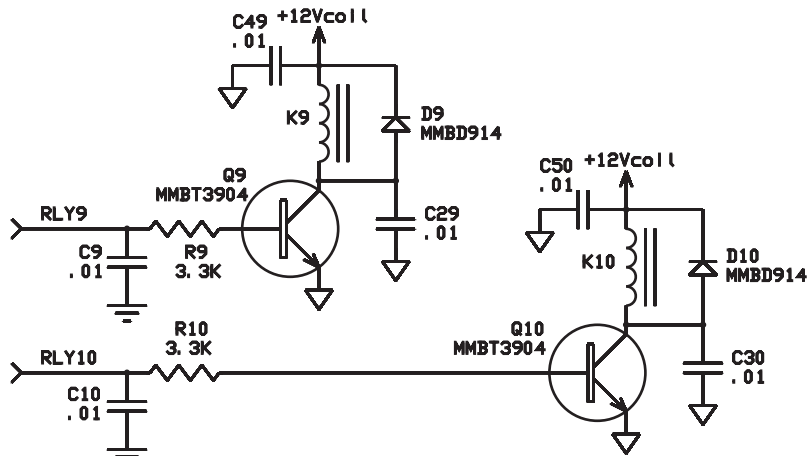
REV	DATE	PCB/P/N	SHEET 2 OF 5
M925/927/928/929	07/03/07	1 862-0929	
DESCRIPTION			
AUTOMATIC ANTENNA TUNER SVR BRIDGE, L-NETWORK, FREQ COUNTER			
DATE	PCB/P/N	MF JENTERPRISES, INC.	
07/03/07	M929_1	300 INDUSTRIAL PARK RD	
ENGINEER	DRAWN BY	STARKVILLE, MS 39759	
H. WONG	H. WONG		

#ALL RELAYS ARE SINGLE
 #L6 & L9 ARE 14AVG AIR COILS
 #ALL NETWORK CAPACITORS
 #SET FWD & REF TRIMPOTS FOR
 SRSB-12VDC-SL-C. EACH RELAY TAKES APPROX. 37mA.
 TOROID SL3, L4, L5, L7, L8 & L10 ARE T94-2AND T106-2, 18AVG.
 ARE RATED 500V, 2.722VATT P WITH 100W INPUT INTO 50 OHM LOAD.



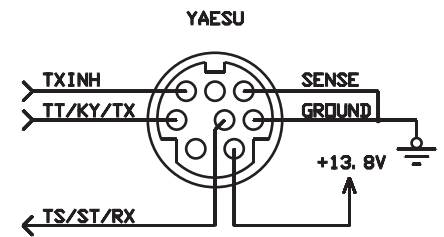
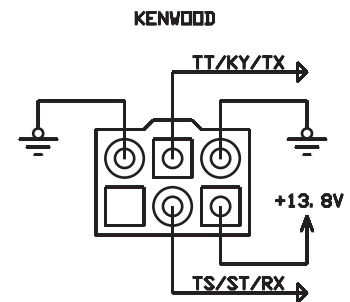
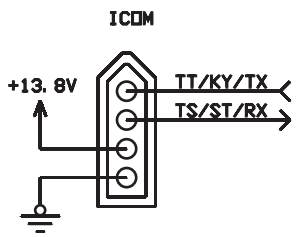
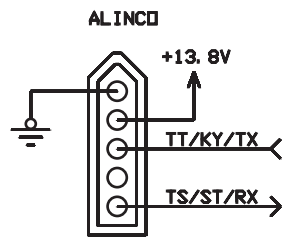
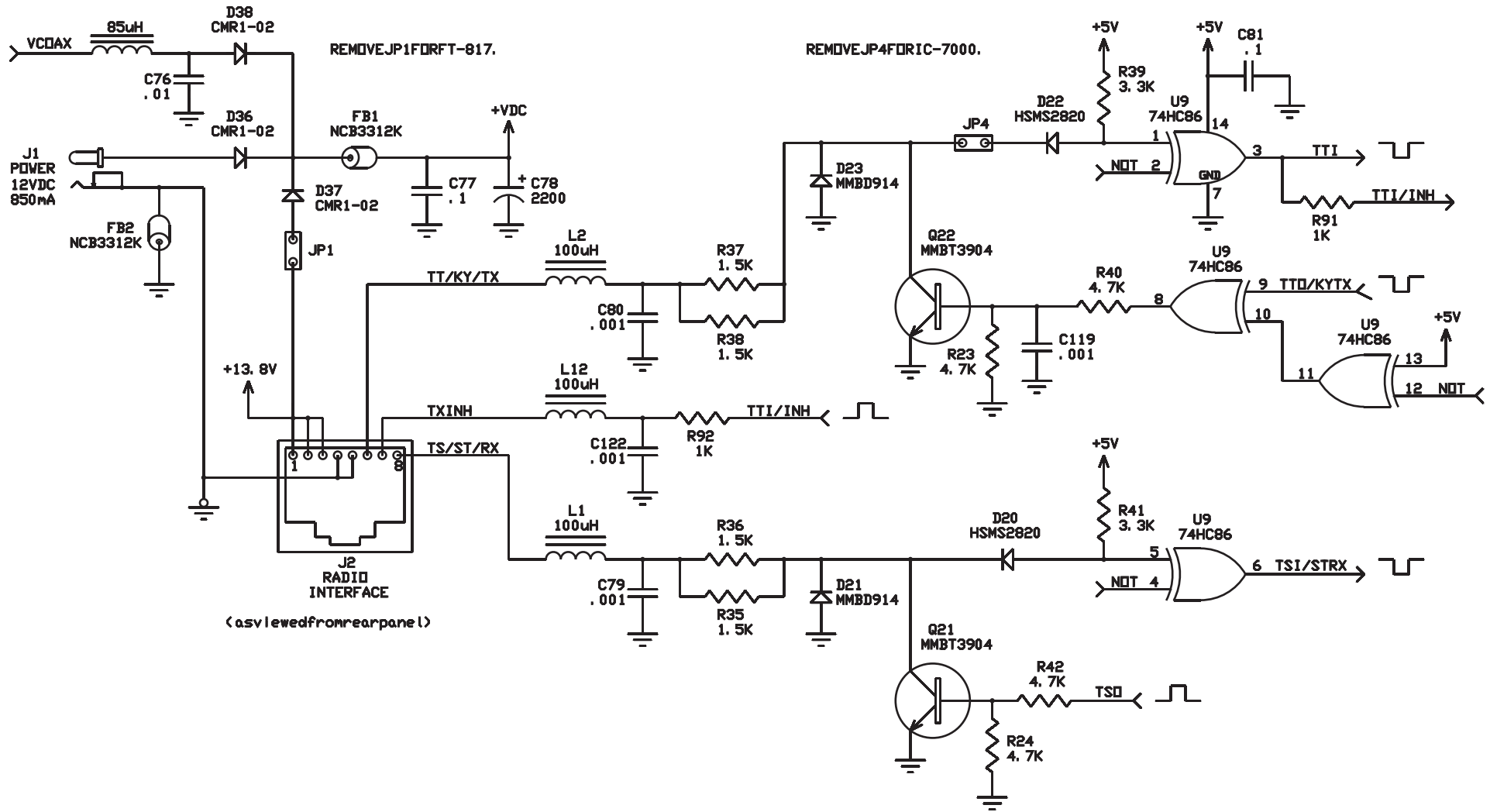
RESISTANCE VALUES ARE IN OHMS
CAPACITANCE VALUES ARE IN MICROFA UNLESS OTHERWISE SPECIFIED

REV	REV	PCB/PN	SHEET 3 OF 5
M925/927/928/929	1	862-0929	
DESCRIPTION AUTOMATIC ANTENNA TUNER LATCH, RELAY COILS & DRIVERS			
DATE	PCB/PN	MF JENTERPRISES, INC.	
07/03/07	M929_1	300 INDUSTRIAL PARK RD	
ENGINEER	BRANDY	STARKVILLE, MS 39759	
H. WONG	H. WONG		



RESISTANCE VALUES ARE IN OHMS
 CAPACITANCE VALUES ARE IN MICROFA RADS
 UNLESS OTHERWISE SPECIFIED

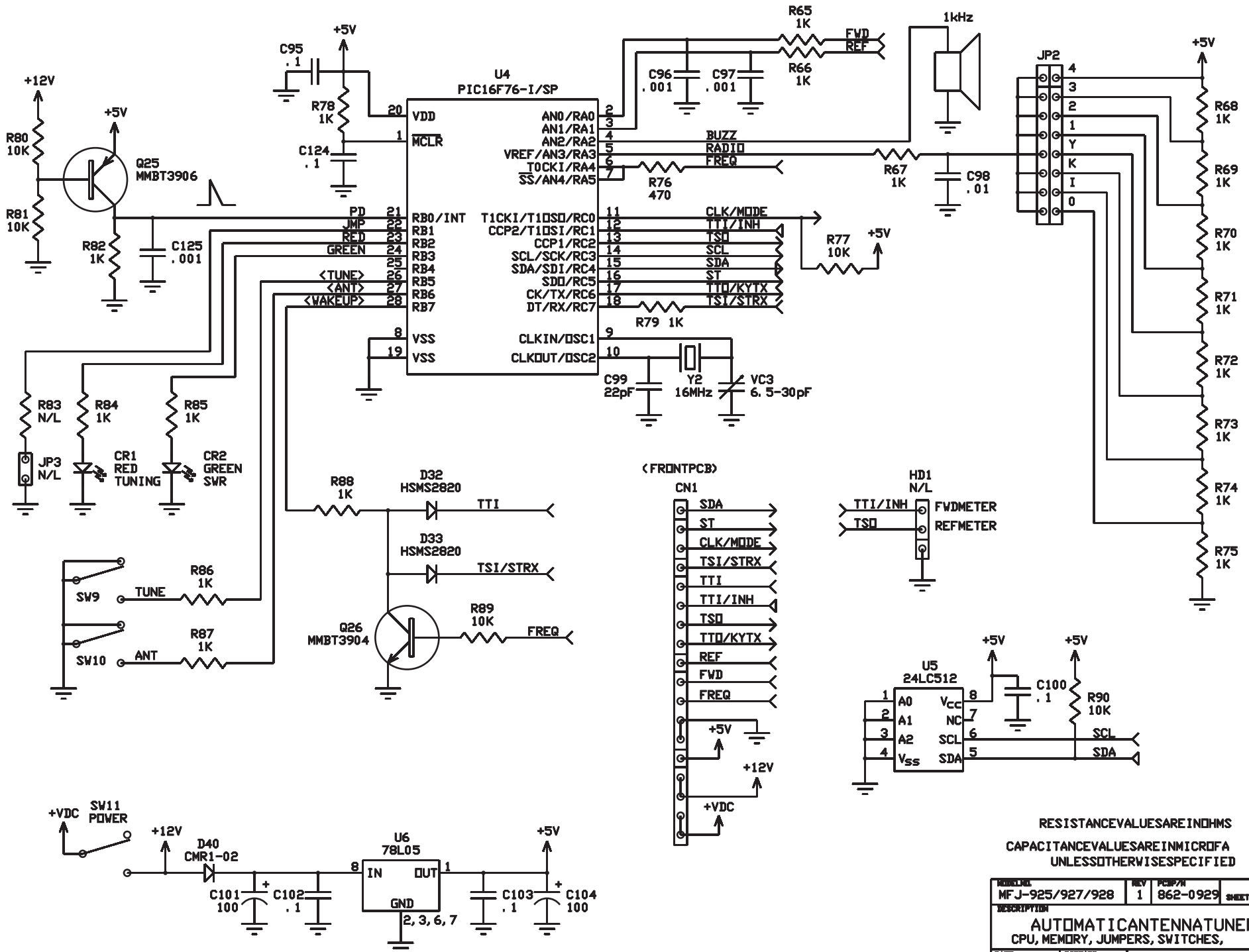
REV	REV	PCB/PN	SHEET 4 OF 5
M925/927/928/929	1	862-0929	
DESCRIPTION			
AUTOMATIC ANTENNA TUNER RELAY COILS & DRIVERS			
DATE	PCB/REV	MF JENTERPRISES, INC.	
07/03/07	M929_1	300 INDUSTRIAL PARK RD	
ENGINEER	BRANDY	STARKVILLE, MS 39759	
H. WONG	H. WONG		



(as viewed from rear panel of radio)

RESISTANCE VALUES ARE IN OHMS
CAPACITANCE VALUES ARE IN MICROFA RADS
UNLESS OTHERWISE SPECIFIED

REVISION	REV	PCB #	SHEET 5 OF 5
M925/927/928/929	1	862-0929	
DESCRIPTION			
AUTOMATIC ANTENNA TUNER RADIO INTERFACE & POWER			
DATE	PCB #	MF ENTERPRISES, INC.	
07/03/07	M929_1	300 INDUSTRIAL PARK RD	
ENGINEER	BRANDY	STARKVILLE, MS 39759	
H. WONG	H. WONG		



RESISTANCE VALUES ARE IN OHMS
 CAPACITANCE VALUES ARE IN MICROFA RADS
 UNLESS OTHERWISE SPECIFIED

REV	MFJ-925/927/928	REV	1	PCB/P/N	862-0929	SHEET 1 OF 5
DESCRIPTION						
AUTOMATIC ANTENNA TUNER CPU, MEMORY, JUMPERS, SWITCHES, POWER						
DATE	07/03/07	PCB/P/N	M929_1	MF JENTERPRISES, INC. 300 INDUSTRIAL PARK RD STARKVILLE, MS 39759		
ENGINEER	H. WONG	BRANDY	H. WONG			